



## Industrial Downlight

### FLUORESCENT RETROFIT LAMP

For: incandescent, fluorescent, metal-halide downlight replacement

### FEATURES AND BENEFITS

- Efficacy of 100lm/W
- Easy install
- Aesthetic brand look, clean lined structure
- Quick disconnect for fast and easy installation
- Ballast plate replaces entire ballast and covers the existing J box opening
- Flicker-free LED Lighting

### PRODUCT SPECIFICATIONS

Length	6",8",10" and 12" versions
Body	Aluminum
Lens	Specular aluminum reflector with frosted/diffuse lens
Mounting	Spring clamps
Input Voltage	100-277 VAC
Driver	External
Available colors	Warm white 3500K Neutral white 4000K Cool white 5000K
CRI	>80
Dimming	0-10V Dimming ; Current source: 2.0mA
Lifetime	5-year warranty
Environmental Requirements	<b>Operating temp:</b> -20° to 50°C <b>Storage temp:</b> -30° to 60°C <b>Working humidity:</b> 30% to 85% <b>Storage humidity:</b> 10% to 90% <b>Non-corrosive environments</b>
Power Factor	>0.9
Beam Angle	6" = 85° 8" = 85° 10" = 85° 12" = 70°

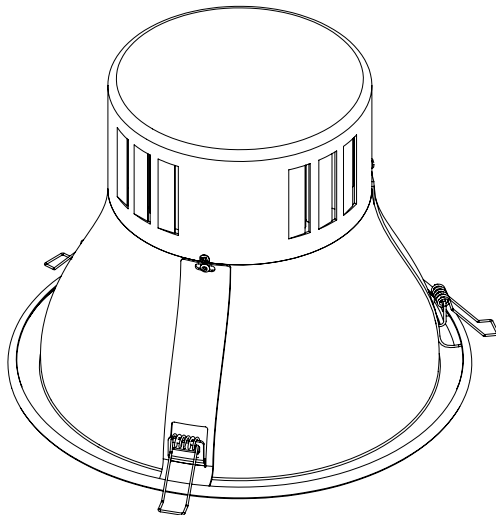


## PRODUCT SPECIFICATION

PART NUMBER	SIZE NOMINAL	POWER	LUMINOUS FLUX	UL PART NUMBER
LEDIDL-8XX-0608-AHD	6"	8W	800lm	3CC112306
LEDIDL-8XX-0612-AHD	6"	12W	1200lm	3CC112306
LEDIDL-8XX-0618-AHD	6"	18W	1800lm	3CC118306
LEDIDL-8XX-0624-AHD	6"	24W	2400lm	3CC124306
LEDIDL-8XX-0808-AHD	8"	8W	800lm	3CC112308
LEDIDL-8XX-0812-AHD	8"	12W	1200lm	3CC112308
LEDIDL-8XX-0818-AHD	8"	18W	1800lm	3CC118308
LEDIDL-8XX-0824-AHD	8"	24W	2400lm	3CC124308
LEDIDL-8XX-0830-AHD	8"	30W	3000lm	3CC130308
LEDIDL-8XX-1018-AHD	10"	18W	1800lm	3CC118310
LEDIDL-8XX-1024-AHD	10"	24W	2400lm	3CC124310
LEDIDL-8XX-1030-AHD	10"	30W	3000lm	3CC130310
LEDIDL-8XX-1050-AHD	10"	50W	5000lm	3CC150310
LEDIDL-8XX-1245-AHD	12"	45W	4500lm	3CC145312
LEDIDL-8XX-1260-AHD	12"	60W	6000lm	3CC160312

XX refers to the option for 3500K, 4000K or 5000K color temperature. (Replace XX with 35, 40 or 50 when selecting).

## LINE DIAGRAM



	6" IDL	8" IDL	10" IDL	12" IDL
Rough-opening Diameter	5.87"	7.5"	9.21"	11.44"
Flange Diameter	7.8"	9.25"	10.75"	12.99"

