

# nUvo™

## UV-C AIR DISINFECTION TOWER

The nUvo™ free-standing, portable air disinfection tower uses enclosed high-power ultraviolet light (UV-C) designed to destroy airborne pathogens including 99.9%+ of coronavirus.

### KEY BENEFITS AND FEATURES

- Engineered to kill at least 99.9% of airborne pathogens such as mold, bacteria, and viruses including SARS-CoV-2 and variants
- Onboard 4-speed fan sized for 5 ACH (air changes per hour) per 200 sq.ft.
- No filter design means no filter changes ever required
- Proprietary UV-C blocker prevents UV-C exposure



## PRODUCT SPECIFICATIONS

Direct plug to wall outlet with 8' cord

Up to 5 air changes per hour in 200 sq.ft. room

Unit weight ~ 17 lbs.

4 fan speed settings

LED indicators for lamp replacement notification and diagnosis

Rubber anti-slide base feet

2 color options (primary / secondary)  
Purple / Nickel  
Silver / Purple

120 VAC, 50/60 Hz compatibility

10,000-hour rated UVC quartz lamp\*

10,000 hours rated UVC quartz lamp (1 year warranty)

2 year warranty on the unit

\*Quartz blocks the creation of harmful Ozone



## PRODUCT SPECIFICATION

Product	SKU	Description
Room Unit	NUVO-AT-PN	Air disinfection tower, purple/nickel
Room Unit	NUVO-AT-SP	Air disinfection tower, silver/purple

### Sizes

#### Free-Standing Tower

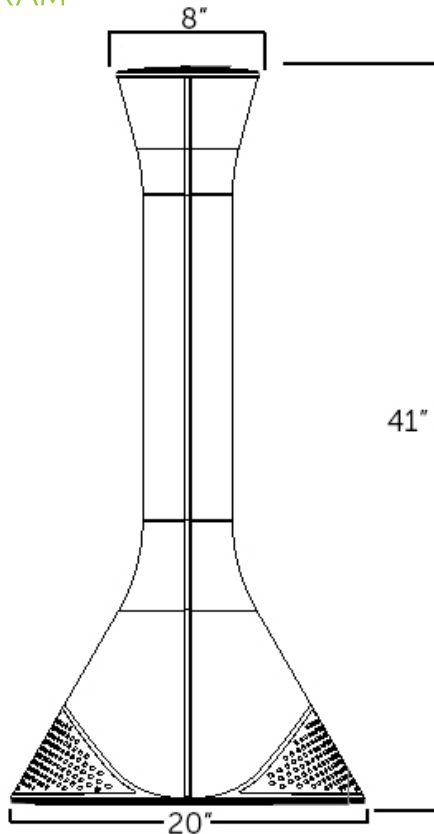
- 86 Watt UV-C lamp with equivalent 35 Watt UV-C (254nm) optical power output
- 25 Watt fan
- 150 CFM fan (approximately 5 air changes per hour for 200-sq.ft. space)

### Housing

Sleek modern design offered in 2 color schemes:

- Purple with nickel accents
- Silver with purple accents

## DIAGRAM



### UV in the Electromagnetic Spectrum

