



UV-C AIR DISINFECTION TOWER

The nUvo™ free-standing, portable air disinfection tower uses enclosed high-power ultraviolet light (UV-C) designed to destroy airborne pathogens including 99.9%+ of coronavirus.

KEY BENEFITS AND FEATURES

- Engineered to kill at least 99.9%+ of airborne pathogens such as mold, bacteria, and viruses including SARS-CoV-2 and variants
- Onboard 4-speed fan sized for 4 ACH (air changes per hour) per 250 sq.ft.
- No filter design means no filter changes ever required
- Proprietary, patent-pending UV-C blocker prevents UV-C exposure



PRODUCT SPECIFICATIONS

Direct plug to wall outlet with 8' cord

Up to 4 air changes per hour in 250 sq.ft. room

Unit weight ~ 17 lbs.

4 fan speed settings

LED indicators for lamp replacement notification and diagnosis

Rubber anti-slide base feet

1 color option (primary / secondary)
Silver / Purple

120 VAC, 50/60 Hz compatibility

10,000-hour rated UVC quartz lamp*

10,000 hours rated UVC quartz lamp (1 year warranty)

1 year warranty on the unit

*Quartz blocks the creation of harmful Ozone



PRODUCT SPECIFICATION

Product	SKU	Description
Room Unit	NUVO-AT-SP	Air disinfection tower, silver/purple

Sizes

Free-Standing Tower

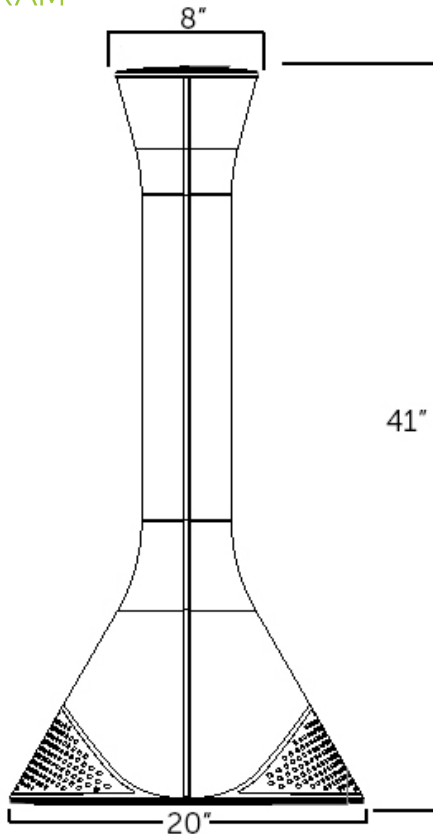
- 86 Watt UV-C lamp with equivalent 35 Watt UV-C (254nm) optical power output
- 25 Watt fan
- 150 CFM fan (approximately 5 air changes per hour for 200-sq.ft. space)

Housing

Sleek modern design offered in 1 color scheme:

- Silver with purple accents

DIAGRAM



UV in the Electromagnetic Spectrum

